

# Mounting Instruction : Type G Switch & Socket

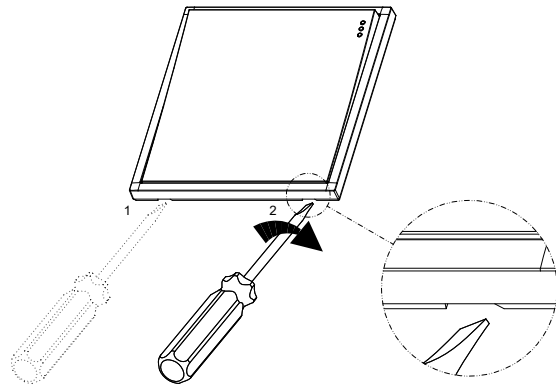


## WARNING

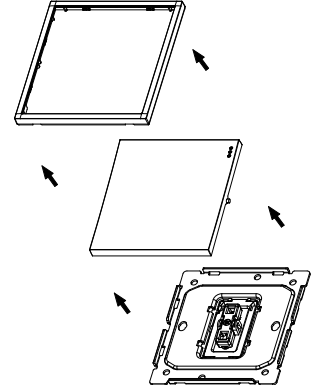
Before installation, please read these Installation Instructions carefully.

1. To prevent the risk of electrocution, turn off the mains electricity supply before commencing work.
2. The device must be installed and connected by skilled electricians. otherwise it may cause short circuit or even fire.

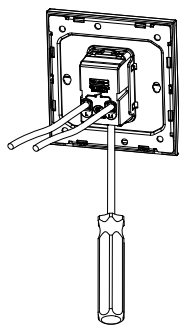
**STEP 1** Remove the frame according to the proper position shown in picture.



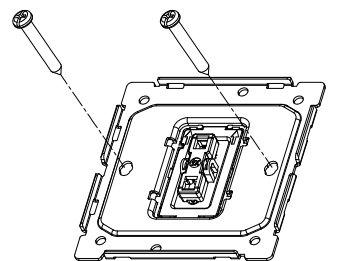
**STEP 2** Remove the frame and button.



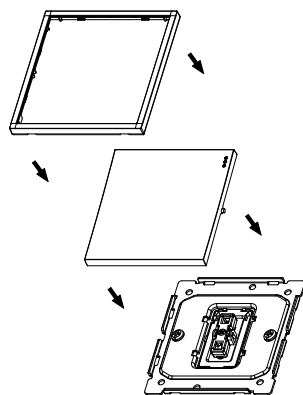
**STEP 3** Wiring the product. Please refer to the wiring diagram for wiring modes of various products.



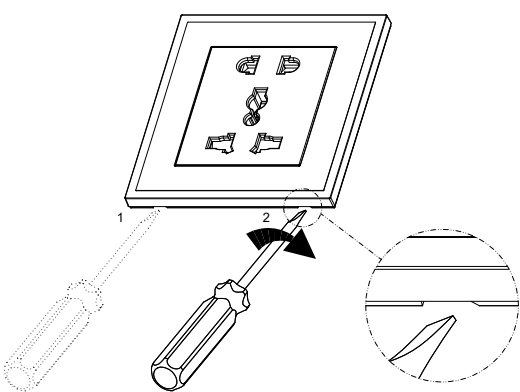
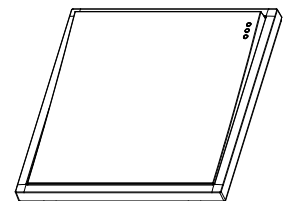
**STEP 4** Install the screws. Please note that the mounting torque shall not be greater than 6kg·f, otherwise the mounting plate will be deformed.



**STEP 5** Install the button and frame.

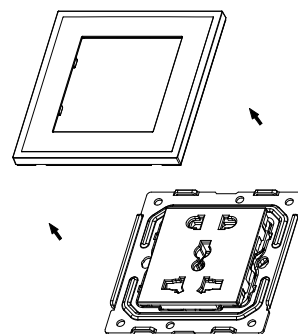


**STEP 6** Complete the installation.



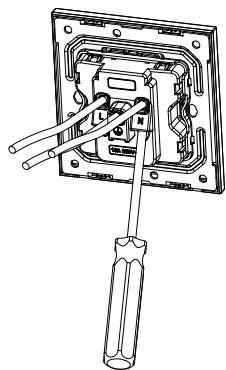
Remove the frame according to the proper position shown in picture.

**STEP 1**



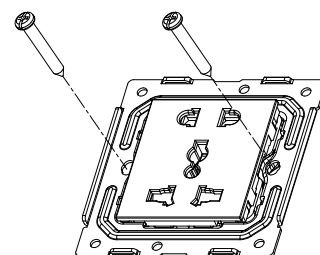
Remove the frame.

**STEP 2**



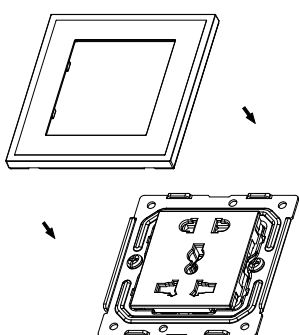
Wiring the product. Please refer to the wiring diagram for wiring modes of various products.

**STEP 3**



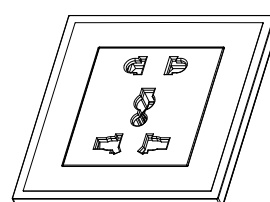
Install the screws. Please note that the mounting torque shall not be greater than 6kg·f, otherwise the mounting plate will be deformed.

**STEP 4**



Install the frame.

**STEP 5**

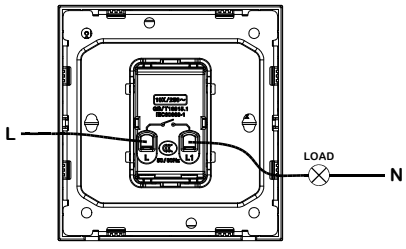


Complete the installation.

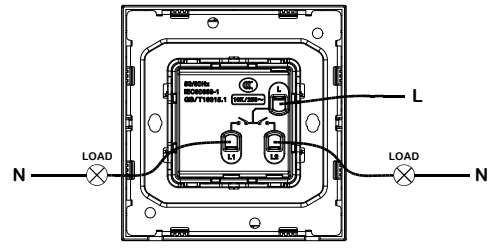
**STEP 6**

# Wiring Diagram : Switch Type G

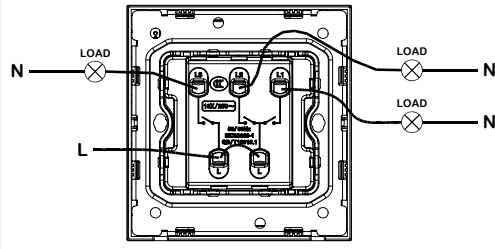
1 Gang 1 Way Switch



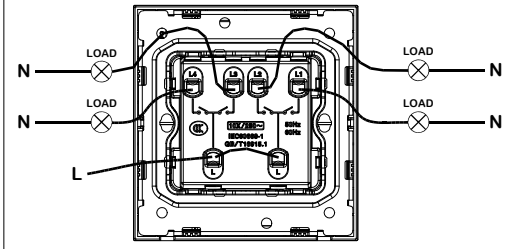
2 Gang 1 Way Switch



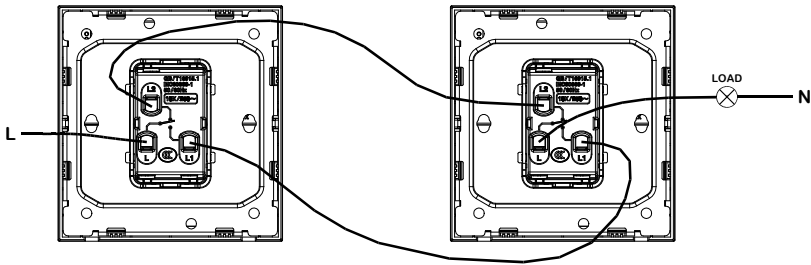
3 Gang 1 Way Switch



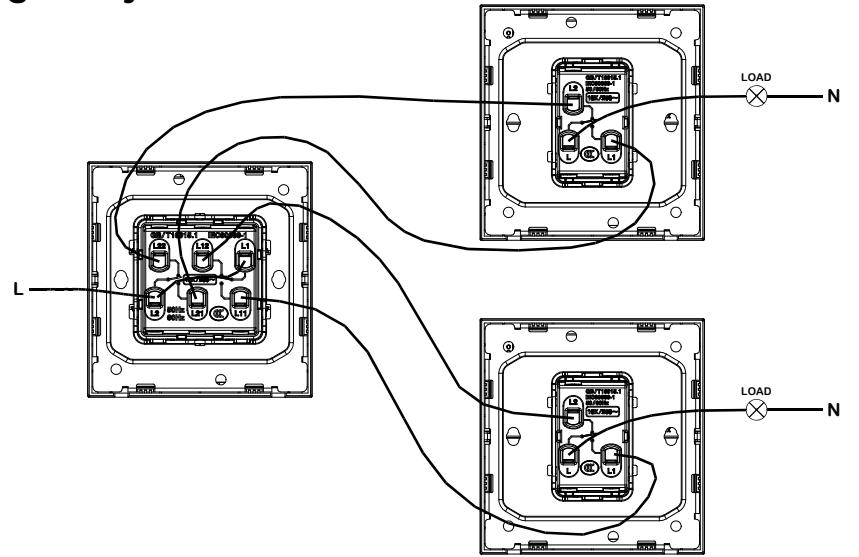
4 Gang 1 Way Switch



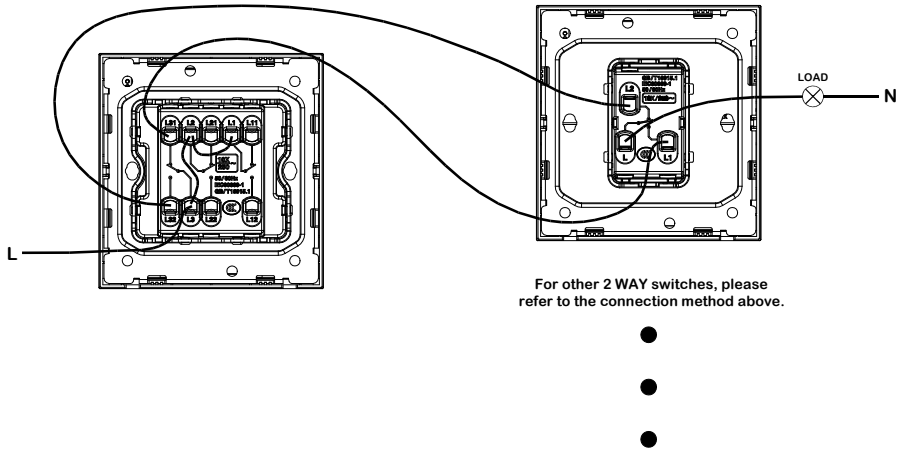
1 Gang 2 Way Switch



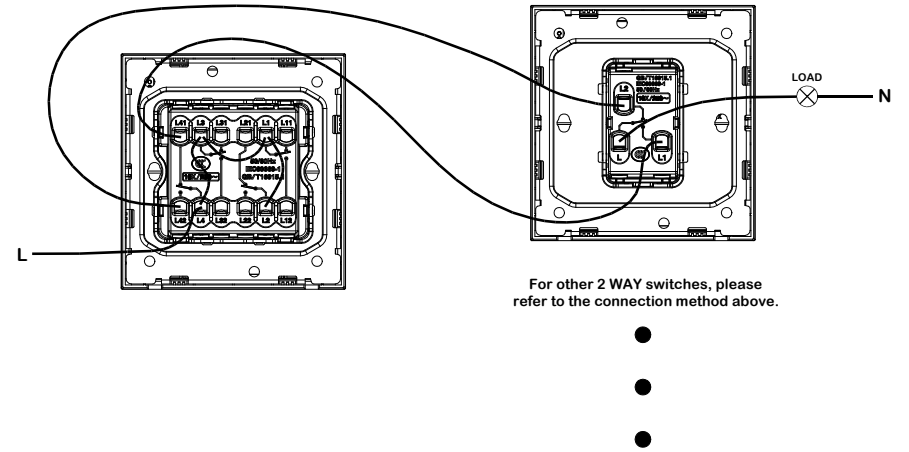
2 Gang 2 Way Switch



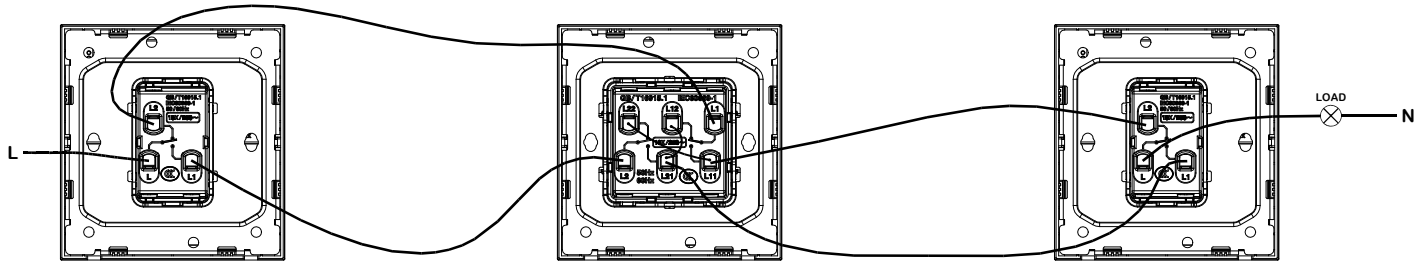
3 Gang 2 Way Switch



4 Gang 2 Way Switch



1 Gang Intermediate Switch



2 Gang Intermediate Switch

